



FAGOR INDUSTRIAL

Catalogue  
**CATERING**

Chapter  
**COOKING**

Model  
**FT-G910 V R LPG 230V 1N**

19043559

**DIMENSIONS**

	<b>Article</b>		<b>Packed</b>	
Lenght	800	mm	840	mm
Depth	930	mm	1022	mm
Height	290	mm	535	mm
Weight	112,000	kg	129,000	kg
Volume	0,283	m3	0,459	m3

**ELECTRICITY**

Electric power		0,10	kw
Voltage			230V -1N
Frequency		50/60	hz

**GAS**

Power		18,50	kw
		15921,33	kcal/h
LPG Consumption		1,44	kg/h
Pressure		LPG G30/G31 28-30/37	mbar

**Certification EQNET-CE**

1312CR6162

**GAS FRY-TOP, FT-G910 V R**

Fry-top plates or hot plates are designed to grill a large amount of products. They are particularly fast and heat is evenly distributed. Thanks to they high power, they reach working temperature in a short time.

2 mm stainless AISI-304 steel top with rounded edges for easy cleaning. Laser cut and automatic welding for a perfect side to side adjustment of modules with square angle finish.

The hot plate is made of 20 mm thick mild steel.

Hot plate integrated into the embedded top. Easy to clean thanks to the rounded edges and embedded construction. Minimum edge radio 3.5 mm for easier cleaning.

Plate and lodging made according to EN-202-3 standard for materials in contact with food.

The plate is slanted forward for an easier collection of fat and liquids.

Fitted with a cooking fat drainage hole and removable collecting tray.

Grooved surface plate to give food a grilled look finish.

Useful heating surface: 47 dm<sup>2</sup>. Dimensions: 735 x 640 mm.

Heating by means of a double branch gas burner.

The independent control knob for each burner allows to work with half or the whole plate.

Heating control by means of safety valve with thermocouple.

Electronic ignition. Access tube for manual ignition.

Optional three-piece anti splash removable shields for easy cleaning.

Water-tight and protecting-support controls.

High temperature protector for the chimney made of enamelled cast iron.

Front access to components.

According to European standards for components and panels temperature, efficiencies and combustion, and sanitary regulations (EN-60335 and EN-203)

IPX5 grade water protection equipment.



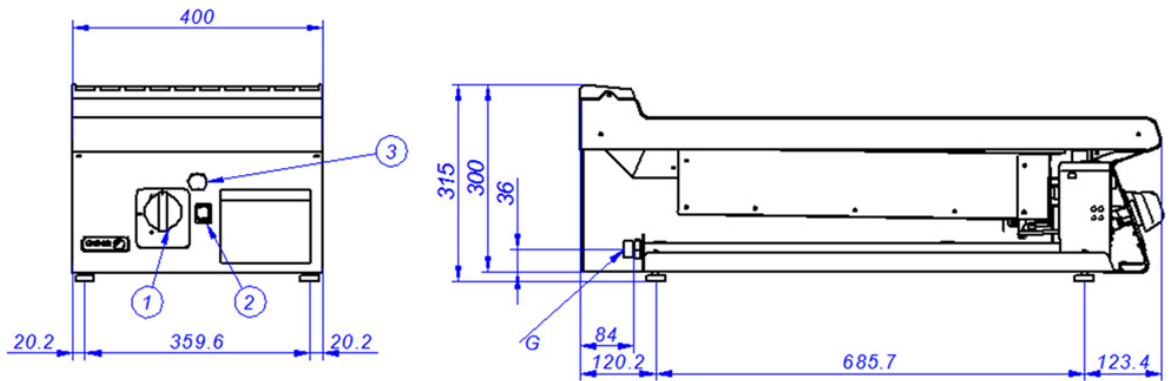
Catalogue  
**CATERING**

Chapter  
**COOKING**

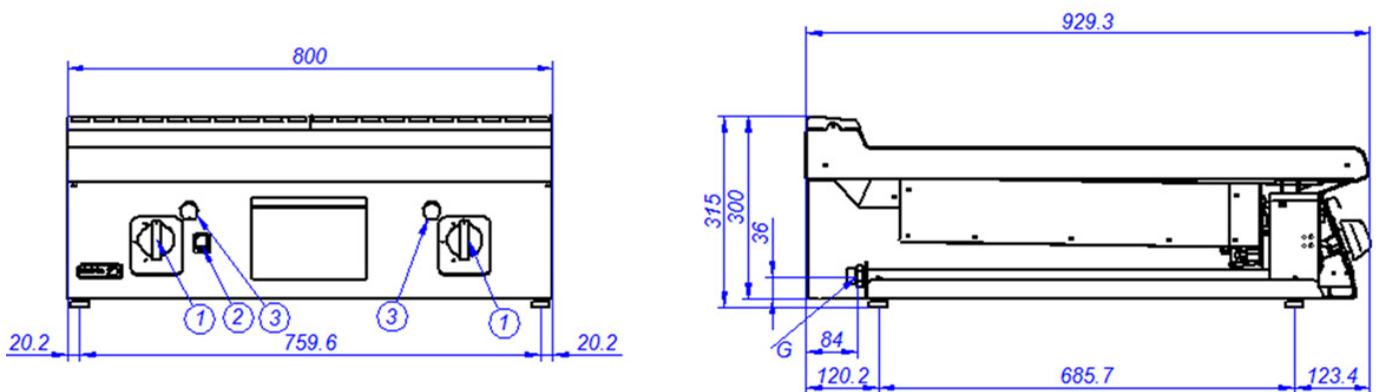
Model  
**FT-G910 V R LPG 230V 1N**

19043559

**FT-G905**



**FT-G910**



- G. Entrada de Gas
- 1. Válvula de gas
- 2. Pulsador tren de chispas
- 3. Orificio de encendido manual

- Gas Inlet
- Gas valve
- Piezoelectric ignitor
- Manual ignition hole